

## Dati tecnici

### Lubrificazione consigliata:

Olio per utensili pneumatici

### Accessori:

chiave esagonale 3-4-5-6 mm

### Applicazioni:

Carpenteria pesante, sotto pavimento, roofing, rivestimenti, pallets, scatole e gabbie.

### Sistema di funzionamento:

Funzionamento a contatto (grilletto nero)

Funzionamento sequenziale singolo (grilletto rosso)

## Caricamento

1. Arretrare lo spingipunto fino alla posizione di scatto.
2. Caricare i chiodi dall'alto.
3. Rilasciare il meccanismo di chiusura seguendo lo spingipunto fino alla chiusura ricordando di tener pulito il passaggio.

## Technical data

### Recommended lubrications:

Pneumatic tool oil

### Accessories:

3, 4, 5 and 6 mm hex. bar wrenches

### Applications & suitability:

Heavy-duty framing, sub floors, roofing, sheathing, pallets, boxes and crates.

### Actuating system:

Contact actuation (black trigger)

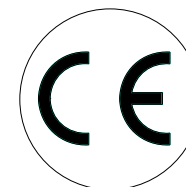
Single sequential actuation (red trigger)

## Filling the magazine

1. Pull back the pusher mechanism until it latches into position.
2. Load the nails into the top of the magazine.
3. Releases the latch mechanism to allow the pusher to close remembering to take care and keep fingers well clear of its pathway.

# MORE

195MSN2210\_SN22100\_220307\_FL



## Manuale d'uso, manutenzione e parti di ricambio Parte 2

Use, maintenance and spare parts manual Part.2

# SN22.100

cod. 195MSN2210

Indice di modifica  
Upgrade number

0

**Misure impiegabili mm (inch)**  
Usable lengths mm (inch)

**50 ÷ 100**  
**(2" ÷ 4")**

**Capacità caricatore n° punti**  
Magazine capacity No. of fasteners

**60**

**Pressione d'esercizio bar (psi)**  
Working pressure bar (psi)

**5 ÷ 8**  
**(70 ÷ 110)**

**Consumo aria litri/colpo a 7 bar**  
Air consumption litres/shot at 7 bar

**2,27**

**Peso kg**  
Weight kg

**3,60**

**Dimensioni (AxBxH) mm**  
Dimensions mm

**529x139x369**

**Pressione sonora**  
Max A-Weighted surface impulse sound pressure level

**91,32 dBA**

**Potenza sonora emessa**  
Max A-Weighted impulse sound power level

**97,68 dBA**

**Vibrazione**  
Vibration

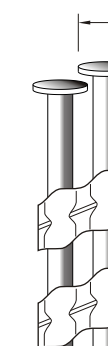
**5,17 m/s<sup>2</sup>**

**omer s.p.a.**

Via Foresto, 42 - 31058 SUSEGANA (TV) ITALY  
Tel. 0438 455 318 Fax 0438 455 530  
e-mail: omer@omer.it www.omer.it

**Tipo di punto**  
Type of fastener

Ø 7 ± 0,2  
Head dia: .275" ± .283"



50  
2"

100  
4"

22°

Ø 2,8 ± 0,4  
Shank dia: .110" ± .131"  
Gauge: 11½ ± 10½



### Declaration of Conformity

We

Basso Industry Corp.,  
No. 24, 36<sup>th</sup> Rd., Taichung Industrial Zone,  
Taichung, Taiwan ROC.

declare under our sole  
responsibility that the

pneumatic nailer A22/100-A2  
(SN22.100)

conforms with the  
directive and  
amendments

EN 292-2: Section 3 of 1992  
EN 292-1: Section 5 of 1992  
EN 1050: 1996  
EN 792 13 : 2000

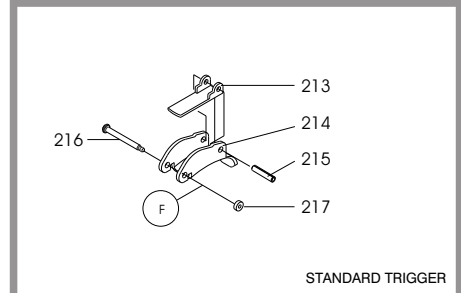
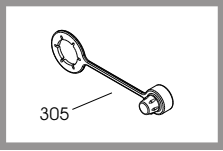
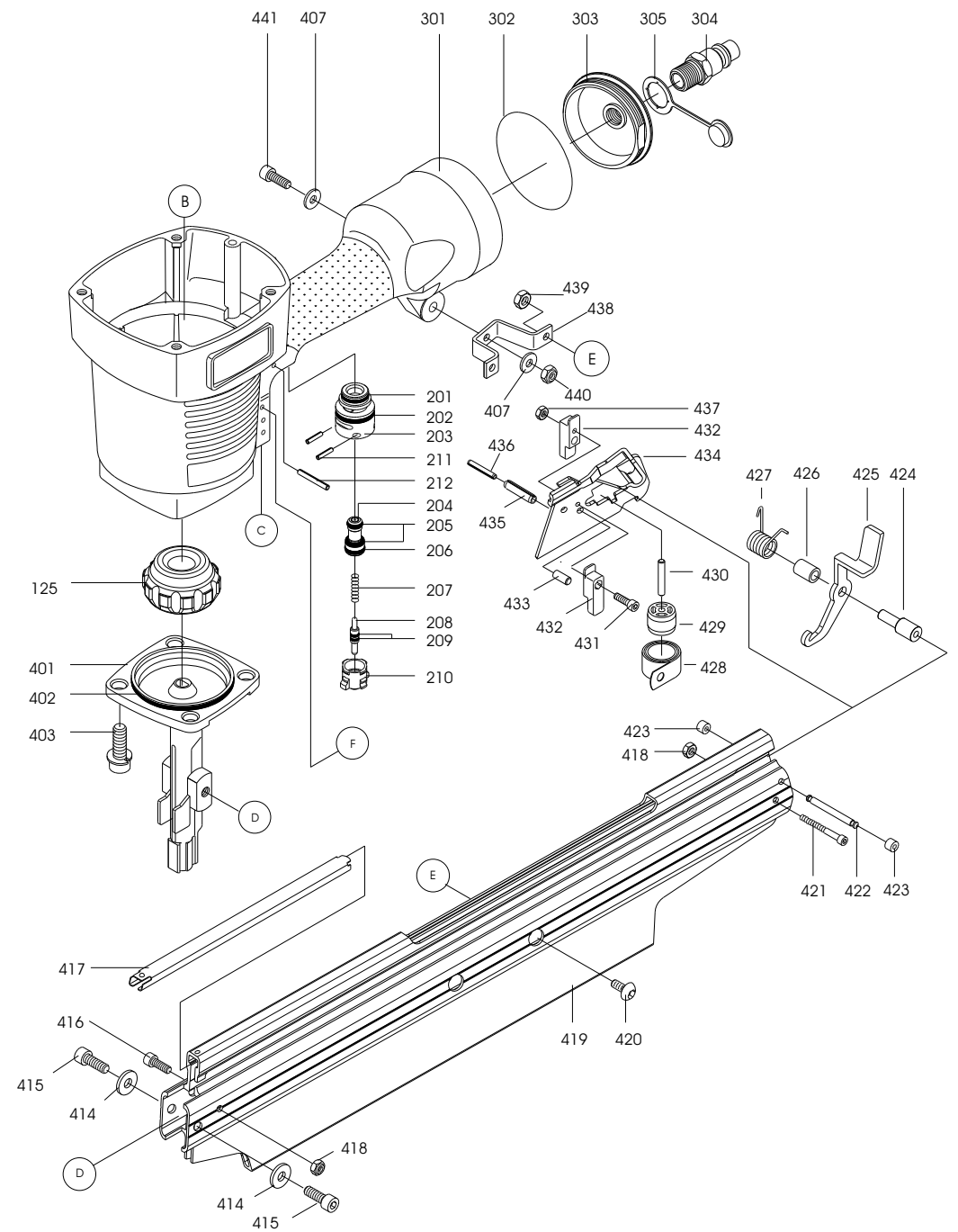
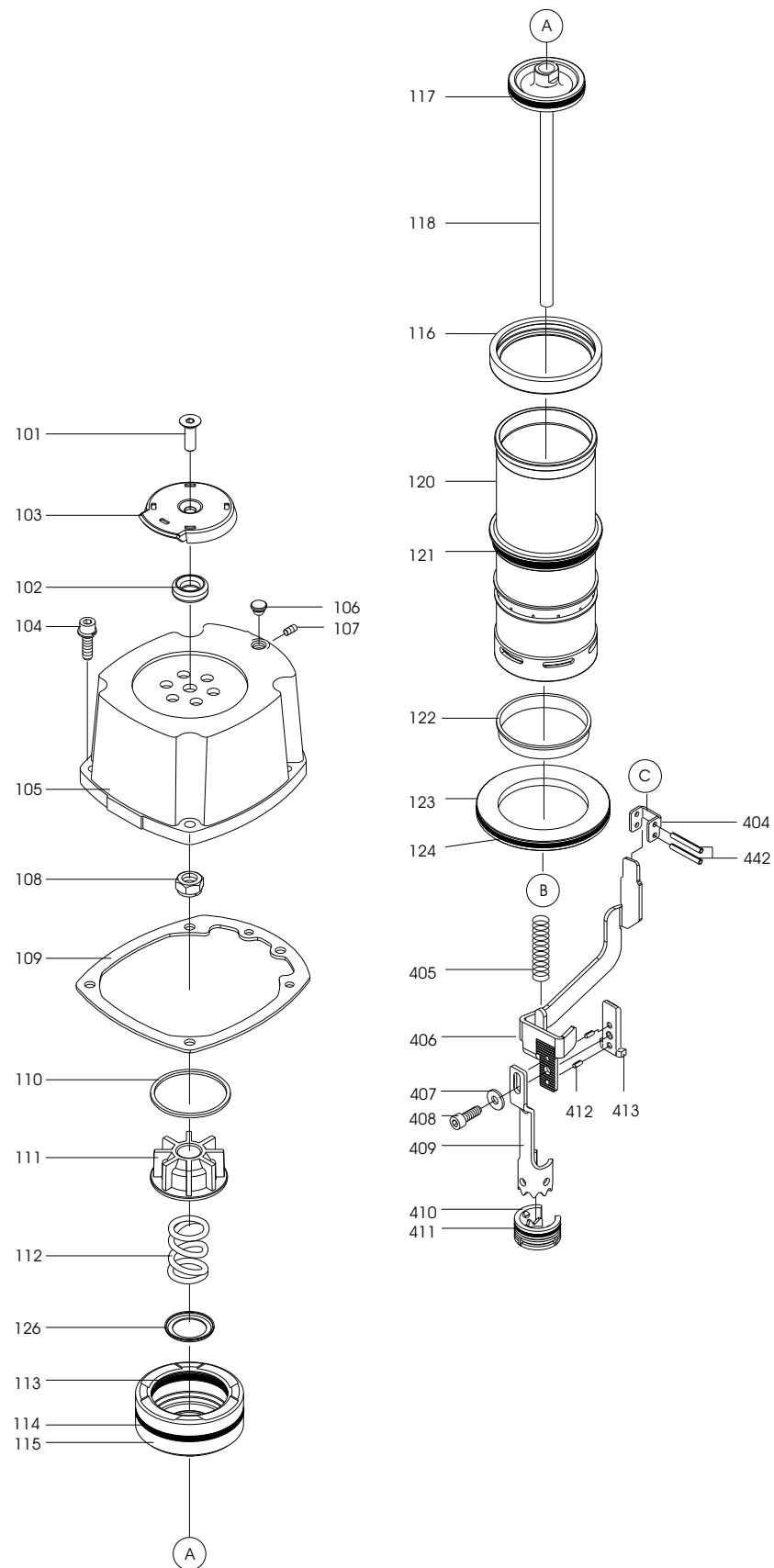
Serial number:  
(to be filled by the customer)

Signed: Kevin Lin  
Kevin Lin (Quality Manager).

Date:

Ref. No. Part No. Description

101	2MSN2210-A101	Hex. Soc. Hd. Bolt
102	2MSN2210-A102	Flat Washer
103	2MSN2210-A103	Deflector
104	2MSN2210-A104	Bolt Assy
105	2MSN2210-A105	Cap
106	2MCN2970-A103	Grommet
107	2MCN2970-A104	Hex. Soc. Hd. Screw
108	2MSN2210-A108	Lock Nut
109	2MSN2210-A109	Cylinder Cap Seal
110	2MSN2210-A110	Gasket
111	2MSN2210-A111	Seal
112	2MCN2970-A108	Compression Spring
113	2MCN3165-A120	O-Ring
114	2MSN2210-A114	O-Ring
115	2MSN2210-A115	Hd.Valve Piston
116	2MSN2210-A116	Collar
117	2MSN2210-A117	O-Ring
118	2MSN2210-A118	Driver Unit
120	2MSN2210-A120	Cylinder
121	2MCN3390-A126	O-Ring
122	2MCN3390-A127	Cylinder Ring
123	2MSN2210-A123	Cylinder Spacer
124	2MCN3390-A129	O-Ring
125	2MCN3390-A130	Bumper
126	2MCN2970-A110	Washer
201	2MCN3165-A201	O-Ring
202	2MCN3165-A202	O-Ring
203	2MCN3165-A203	Plunger Cap
204	2MSN2210-A204	Valve Plunger
205	2MCN3165-A205	O-Ring
206	2MCN3165-A206	O-Ring
207	2MCN3165-A207	Spring
208	2MCN2550-A208	Plunger
209	2MCN3165-A209	O-Ring
210	2MCN3165-A210	Trigger Valve Head
211	2MCN3165-A211	Spring Pin
212	2MCN3165-A213	Spring Pin
213	2MSN2210-A213	Secondary Trigger
214	2MSN2210-A214	Trigger
215	2MCN3165-A216	Spring Pin
216	2MSN2210-A216	Trigger Pivot Pin
217	2MCN3165-A416	Urethane Retainer
301	2MSN2210-A301	Gun Body Unit
302	2MCN3390-A302	O-Ring
303	2MCN2210-A303	End Cap
304	2MCN3165-A305	Air Plug
305	2MCN3165-A304	Dusty Cover
401	2MSN2210-A401	Nose Piece
402	2MCN3390-A401	O-Ring
403	2MCN3390-A404	Bolt Assy
404	2MSN2210-A404	Safety Guide
405	2MSN2210-A405	Safety Spring
406	2MSN2210-A406	Safety B Unit
407	2MCN3165-A452	Flat Washer
408	2MSN2210-A408	Hex. Soc. Hd. Bolt
409	2MSN2210-A409	Safety A Unit
410	2MSN2210-A410	Protective Casing
411	2MSN2210-A411	Fixed Ring
412	2MSN2210-A412	Spring Pin
413	2MSN2210-A413	Positioning Sheet
414	2MCN2970-A440	Flat Washer
415	2MSN2210-A415	Hex. Soc. Hd. Bolt
416	2MSN2210-A416	Hex. Soc. Hd. Bolt
417	2MSN2210-A417	Steel Channel
418	2MSN2210-A418	Lock Nut
419	2MSN2210-A419	Magazine A
420	2MCN3390-A120	Half Round Hd.Hex.Bolt
421	2MSN2210-A421	Hex. Soc. Hd. Bolt
422	2MSN2210-A422	Latch Pin
423	2MCN3165-A450	Shaft Ring
424	2MSN2210-A424	Magazine Spacer
425	2MSN2210-A425	Latch
426	2MSN2210-A426	Latch Spring Bushing
427	2MSN2210-A427	Latch Spring
428	2MSN2210-A428	Spring
429	2MSN2210-A429	Rolling Element
430	2MSN2210-A430	Roll Pin
431	2MSN2210-A431	Hex. Soc. Hd. Bolt
432	2MSN2210-A432	Pusher Bearing
433	2MSN2210-A433	Pin
434	2MSN2210-A434	Pusher
435	2MSN2210-A435	Spring Pin
436	2MCN2970-A215	Spring Pin
437	2MSN2210-A437	Lock Nut
438	2MSN2210-A438	Bracket
439	2MSN2210-A439	Lock Nut
440	2MCN3165-A454	Lock Nut
441	2MCN3165-A451	Hex. Soc. Hd. Bolt
442	2MCN2970-A219	Spring Pin



STANDARD TRIGGER

195MSN2210\_SN22100\_220307 FL

Parti di ricambio - Spare parts

SN22.100

cod. 195MSN2210

Indice di modifica Upgrade number

0

05125626